

Legless Stacker

BOA-2

Technical Information

Drive Train And Steering

- Advanced AC 24V Drive Motor with sealed bearings, heavy duty commutator and stainless steel brush holders provides a powerful traction control system.
- Super Quiet Direct Drive Transmission with large roller bearing is oiled for life.
- Curtis controller system provides smooth acceleration and energy saving dynamic braking. Travel speeds are virtually constant even driving up or down an incline regardless of the load.
- The drive motor, transmission, brakes and drive wheel are coupled to the full function Control Handle.
- The new innovative design electric power steering provides BOA with positive but effortless steering.
- The complete Drive and Steering system is securely mounted within the all steel truck chassis for maximum protection.

Structural

- The all new "Brilliant by Design" chassis incorporates the very latest Laser Lock technology.
- Special I Beam Mast Section provides strength and rigidity.
- The Fork Carriage is an integrally welded unit
- The Fork Carriage is fully rollered to ensure smooth and long wearing performance.

Hydraulic System

- Full System filtration is provided on the input side of the lift pump to prevent contaminants from entering the hydraulic system.
- Built in relief valve protects the system from overloads.
- Two speed lowering is via the control handle.
- A heavy duty gear pump is mated to chrome plated lift cylinders providing smooth lift and lower performance with minimal power consumption.

Electrical System

- 24V system powered by a 270AH Traction Battery.
- The Curtis transistorised programmable Control System controls machine functions via the control handle.
- Benefits include smooth speed response, increased usable battery energy per charge, extended motor life and regenerative braking.
- Direction, Horn and Lift / Lower Controls are housed in the new full function control handle.
- Dash mounted Key lock ignition and emergency stop switch.
- Multi function diagnostic gauge with lift lock out displays the machine hours, service status and available battery power.



Wheels

Polyurethane Wheels:

Drive: 248mm dia. X 75mm

Quick Change Type integral tyre and hub assembly.

Load : 150mm dia. X 100mm

Travel, Lift and Lower Speeds

Travel Speed: Up to 5kph empty
Up to 3kph laden

Lift Speed : Empty - up to 13.8 metres per min
Laden - up to 7.8 metres per min

Lowering Speed : Empty - up to 13.8 metres per min
Laden - up to 7.8 metres per min

Optional Equipment

- Hazard Light & Beeper
- Hydraulic Lever Controlled Tilt Carriage
- Rider Platform (Asia Models Only)

Safety Features

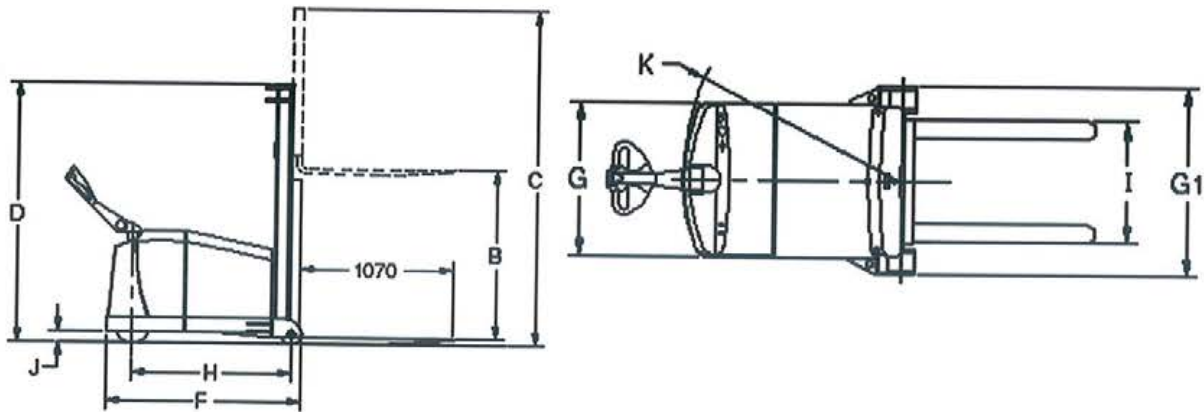
- Certified to operate from tropical to cold room conditions
- Dynamic Braking
- Electronic Power Steering
- Clear view mast
- Belly button reversing switch
- Ergonomically safe butterfly type speed controls
- Deadman braking applies brake and cuts power
- Wrap around hand guards
- Emergency power disconnect
- Key lock safety ignition
- Electronic overload protection
- Hydraulic overload protection
- Automatic high speed cutout when forks are raised above 1800mm

Two Stage Mast

Lift Height M.

3.5

A. Rated Capacity at 600Mm L.C.	1000 kg
B. Lift Height	3500 mm
C. Extended Height With Load Backrest	4000 mm
D. Collapsed Height	2230 mm
E. Free Lift	Nil
F. Chassis Length (To Face Of Forks)	1408 mm
G1. Chassis Width	827 mm
H. Wheelbase	1380 mm
I. Carriage Width	1015 mm
Overall Fork Width	Adjustable to a Max. 810 mm
J. Chassis Under Clearance	60 mm
K. Turning Radius	2000 mm
Weight With Battery	1570 mm
Weight Less Battery	1300 mm
Battery Compartment Size	608 mm Wide X 275 mm Long X 610 mm High
Gradeability %	Ladden 5% / Unladen 7%
Right Angle Stacking Aisle	Dimension F Plus Load Length Plus 100mm



For more information on our Product and Services please call:



Sales & Rental: **(65) 6662 2211**

Parts: **(65) 6662 2275**

Service: **(65) 6662 2215**

metaquip@tanchong.com

MQTC

Distributor:
MetaQuip T C Industrial Pte Ltd
23 Jalan Buroh Singapore 619479
Tel: (65) 6265 3666
Fax: (65) 6264 1666


TAN CHONG
INTERNATIONAL
www.tanchong.com